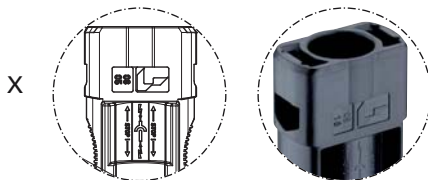
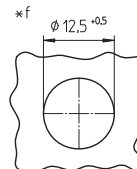
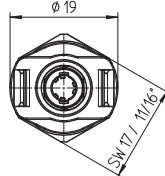
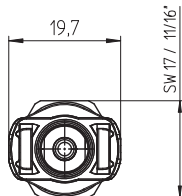
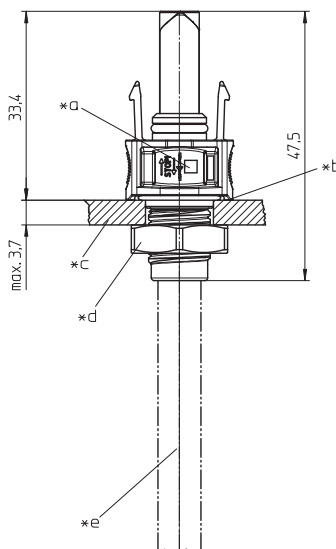
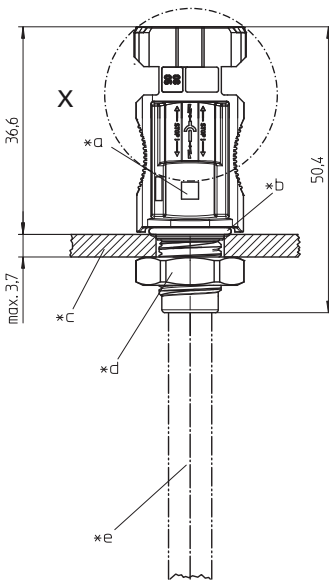




LC4-CP 10



LC4-CP 11



LC4-CP 10 IT

- *a marking + on LC4-CP 1...-1, - on LC4-CP 1...-2
- *b sealing
- *c chassis panel
- *d nut enclosed separately
- *e cable with mounted contact to be inserted into the housing after crimping process*
- *f port

LC4-CP 10
LC4-CP 11

LC4® photovoltaic chassis receptacle, with integrated locking and crimp contact, for front mounting

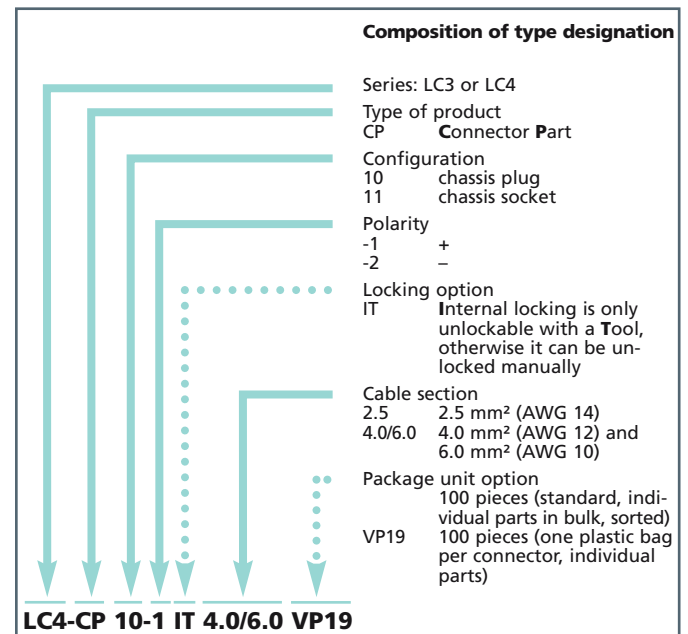
LC4-CP 10: plug

LC4-CP 11: socket

- 1. Temperature range**
 - 40 °C/+85 °C (IEC)
 - 40 °C/+90 °C (UL)
 - (+110 °C upper limit temperature)
- 2. Materials**
 - Insulating body
 - Contact pin/bush
 - Seal
 - Hexagonal nut
- 3. Mechanical data**
 - Insertion force¹ ≤ 20 N
 - Withdrawal force¹ ≥ 10 N
 - Retaining force of locking latches² ≥ 90 N
 - Mating cycles² 50
 - Tightening torque nut 0.8–1.1 Nm
 - Mating with photovoltaic connectors LC4
 - Protection degree³ IP 68
- Connectable conductors crimp terminal** stranded wire, insulated⁴
 - Section LC4-CP 1... 2.5 2.5 mm² (AWG 14)
 - Section LC4-CP 1... 4.0/6.0 4.0 mm² (AWG 12), 6.0 mm² (AWG 10)
- 4. Electrical data (at T_{amb} 20 °C)**
 - Contact resistance² ≤ 1 mΩ
 - Rated current (IEC)²
 - LC4-CP 1... 2.5 22 A at T_{amb} 85 °C
 - LC4-CP 1... 4.0/6.0 30 A at T_{amb} 85 °C
 - Rated current (UL)² 35 A at T_{amb} 20 °C, both
 - Rated voltage⁵ 1000 V DC (IEC)/600 V DC (UL)
 - Overvoltage category⁵ III (8 kV)
 - Material group⁵ I (IEC)/0 (UL) (CTI ≥ 600)
 - Creepage distance/clearance between contact and touchable surface 28.3 mm
 - Insulation resistance > 10 GΩ

¹ measured with a polished steel gauge, nominal thickness 4.0 mm
² measured with a proper counterpart according to IEC 60529/DIN EN 60529
³ only in mated condition with a proper counterpart
⁴ IP X8 requirements under agreement between manufacturer and user
⁵ wire construction preferably according to IEC 60228 class 5, otherwise crimp connection must be tested according to DIN EN 60664/IEC 60664 resp. according to ANSI/UL 746A

Composition of type designation



Standard packaging: individual parts in bulk, sorted in plastic bags of 100 pieces, in a cardboard box